



Assembly Instructions, Liability Waiver & Warranty

AR-15 Hand Guard System Models RS-7, RS-9, RS-12



Patents

US 10359248

US 10641568

Other patents pending



BEAR CITY ARMS

874034D





Liability Waiver

The RS series hand guard system is designed only to be installed on AR-15 type rifles, by competent users. Bear City Arms has made a good faith effort to insure the safety and reliability of this device. However, there are end user conditions not in control of Bear City Arms, as follows:

- Ability of the user to correctly install and maintain the device
- General condition of the firearm
- Previous and future modifications made to the firearm
- The device is not installed on an industry standard AR-15
- Use or misuse of the device

For the conditions stated hereon, the user, by installing this device on a firearm, agrees to indemnify and hold Bear City Arms, Inc. and any of its affiliates or distributors harmless from any direct, indirect, punitive, incidental, special consequential damages, to property or life, whatsoever arising out of or connected with the use or misuse of our products.

If you do not feel competent to continue with this installation, retain a gunsmith for assistance.

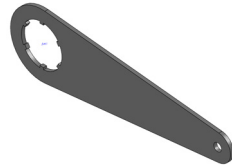




Items included in the kit



Barrel Nut



Spanner Wrench



RailAssembly



Pre-Assembled
Rail/Barrel Mount



Thread-Loc



5x 10-32 Set Screw



9/64 Allen
Wrench



3/32 Allen
Wrench



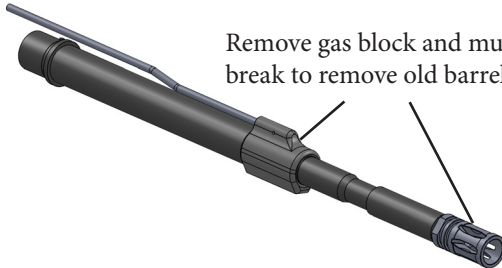


1

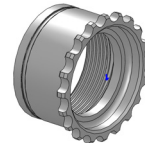
**CLEAR WEAPON
- SAFETY ON -**



Remove all existing
handguard hardware



Remove gas block and muzzle
break to remove old barrel nut

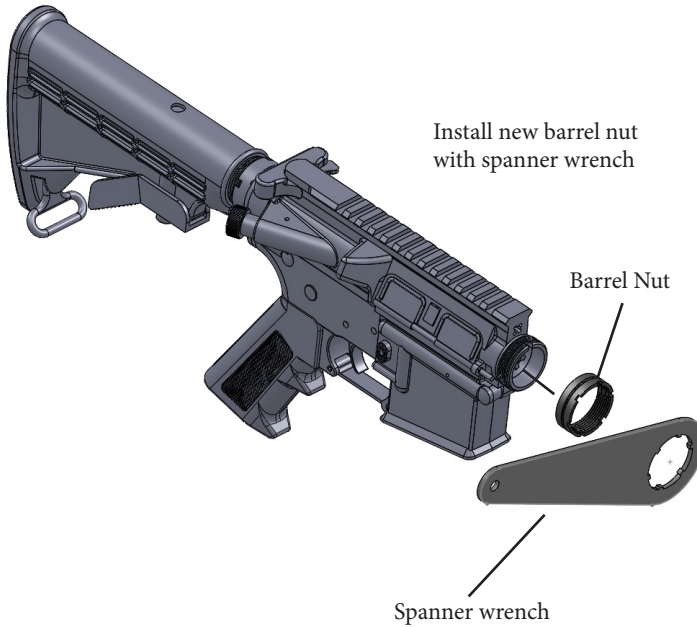


Remove old barrel nut
and re-install gas block
and muzzle break





2

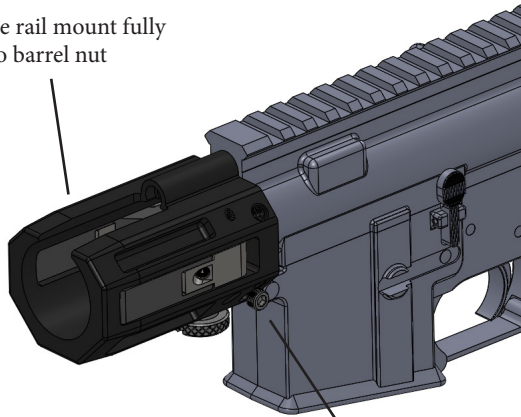




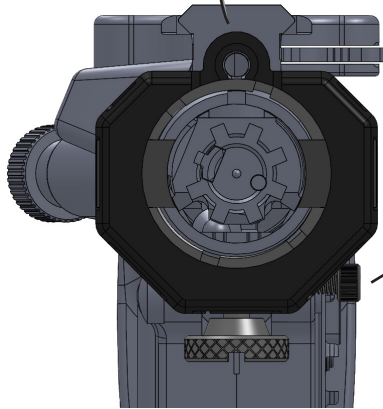
3

Slide rail mount fully
onto barrel nut

Align mount with gas
tube hole and upper
receiver picatinny rail



Slide rail mount fully
onto barrel nut and
tighten clamp screw



9/64 Allen
Wrench

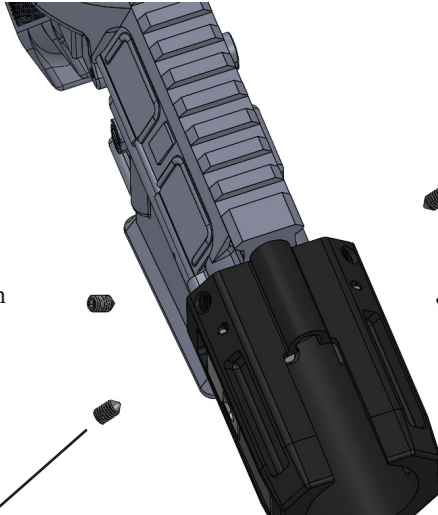




4



3/32 Allen
Wrench



Loctite 271

With mount aligned,
install the four 10-32 set screws
using Loctite 271

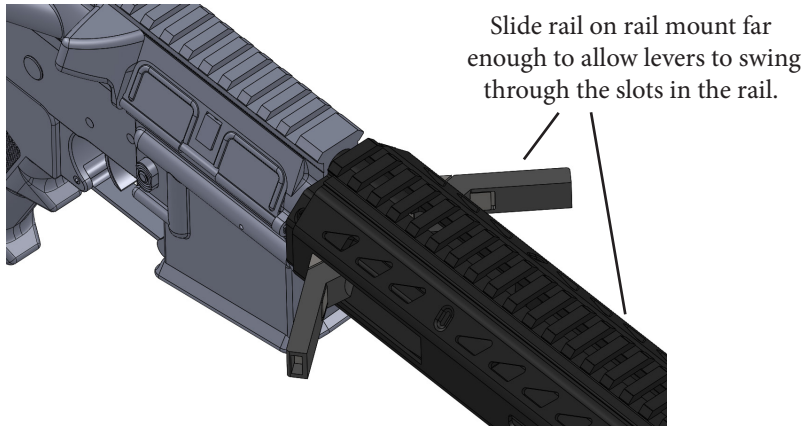
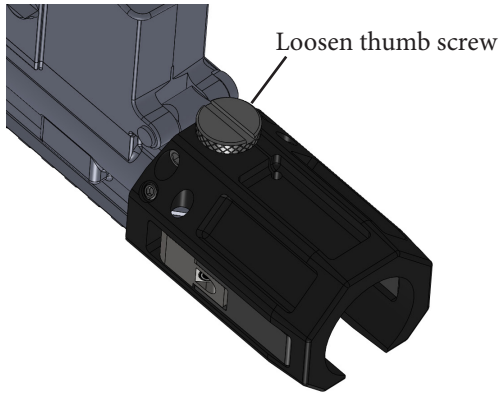
Note:

Do not over-tighten these screws.
Over-tightening screws may bind
barrel assembly in some installations.



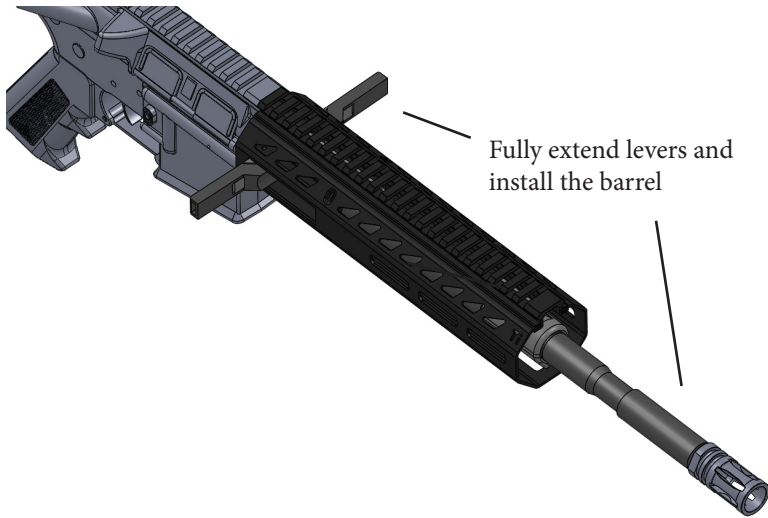


5



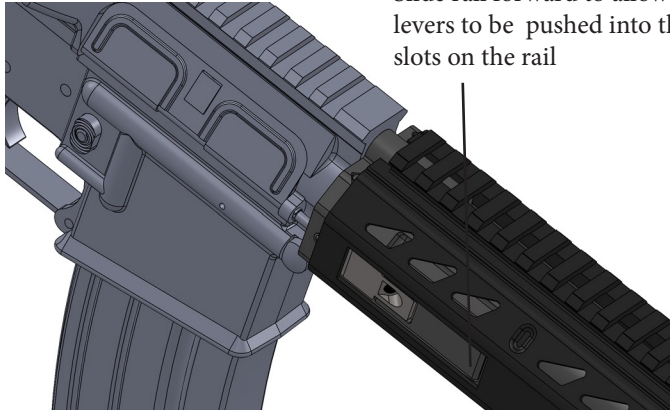


6

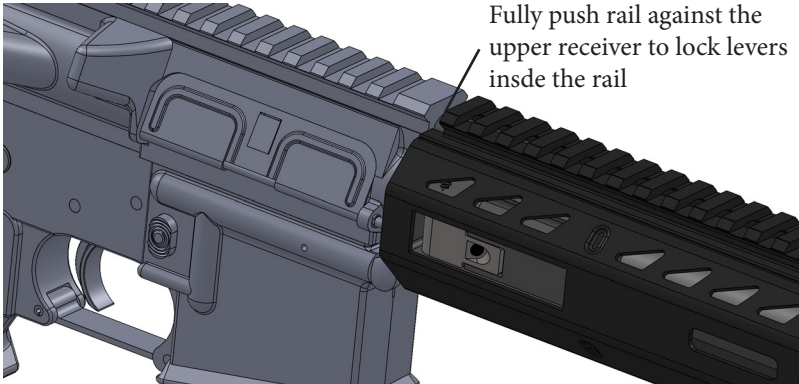




7



Slide rail forward to allow levers to be pushed into the slots on the rail



Fully push rail against the upper receiver to lock levers inside the rail



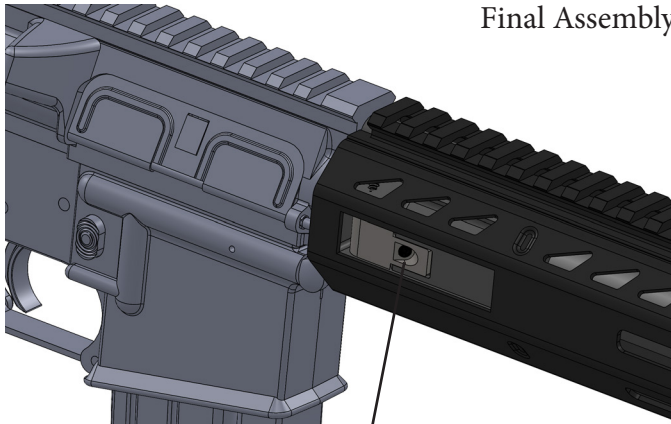


8

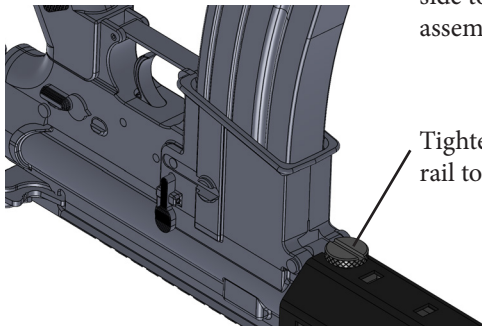
Final Assembly



3/32 Allen
Wrench



Tighten the lever screws on each side to tightly secure the barrel assembly to the upper receiver



Tighten thumb screw to attach rail to the rail mount





Warranty

All products manufactured by Bear City Arms are warranted to be free from defects in materials and workmanship for a period of one (1) year from date of purchase. If within such period any such goods shall be proven to Bear City Arms' satisfaction to be defective, such goods shall be repaired or replaced at Bear City Arms' option. Such corrections or replacement of defective goods shall constitute a fulfillment of all liabilities in respect to such goods.

THE FOREGOING WARRANTIES ARE EXCLUSIVE AND IN LIEU OF ALL OTHER EXPRESS AND IMPLIED WARRANTIES WHATSOEVER, INCLUDING BUT NOT LIMITED TO IMPLIED WARRANTIES OF MERCHANTABILITY AND FITNESS FOR A PARTICULAR PURPOSE.

Bear City Arms shall not be liable for damages to goods, property, or persons due to improper installation or through attempts to utilize the goods under conditions which exceed the designed capabilities.

If you have an inquiry for a product that is outside of the standard warranty period, please contact us.

Bear City Arms, Inc.
3088 Tyrone Lane
Sarasota, Florida 34239
941-809-7715

